

# Space Saver

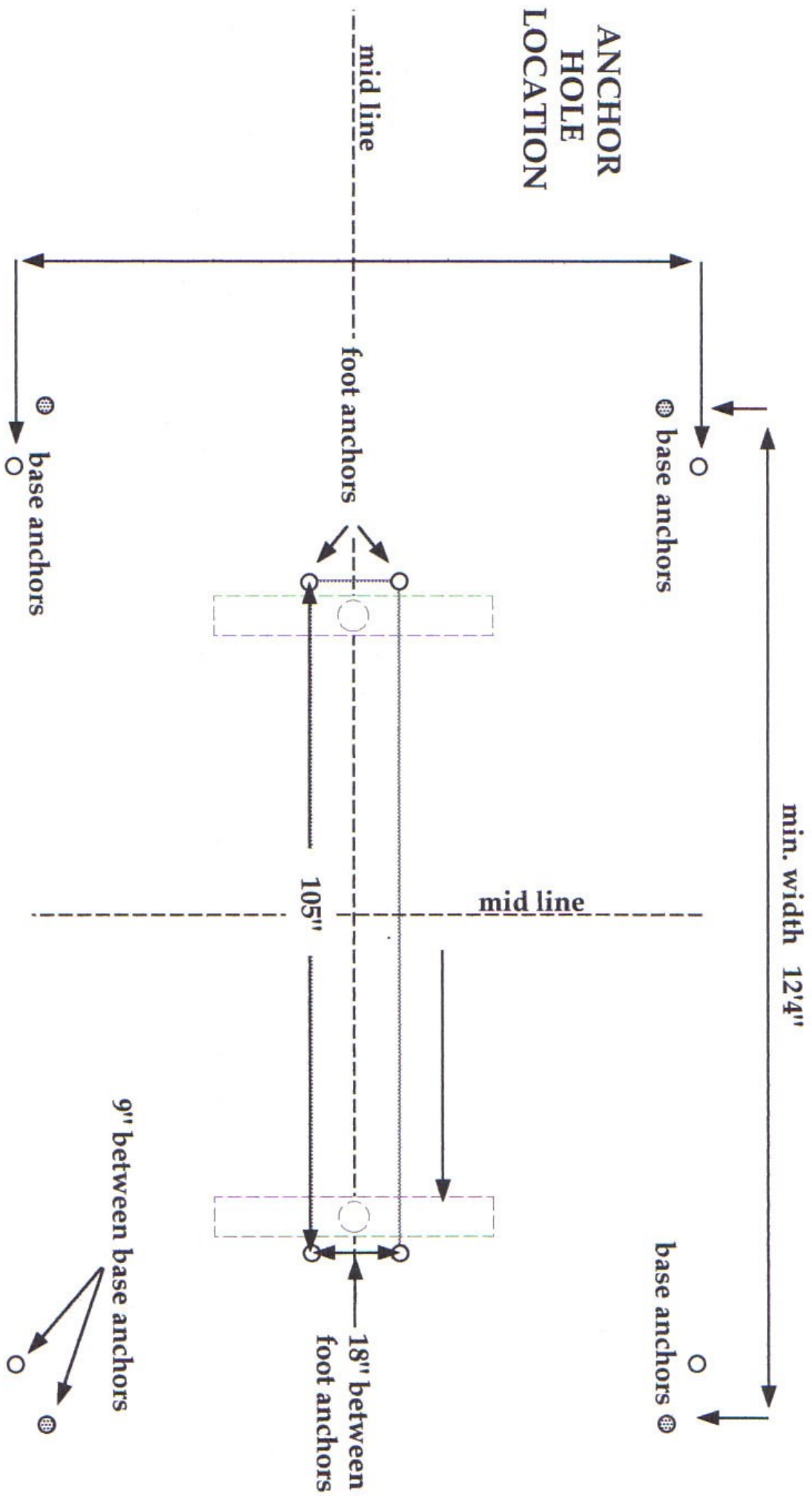
Installation

Instructions

# LOCATING YOUR ANCHORS

(uneven and horizontal bars)

VIEW FROM THE TOP

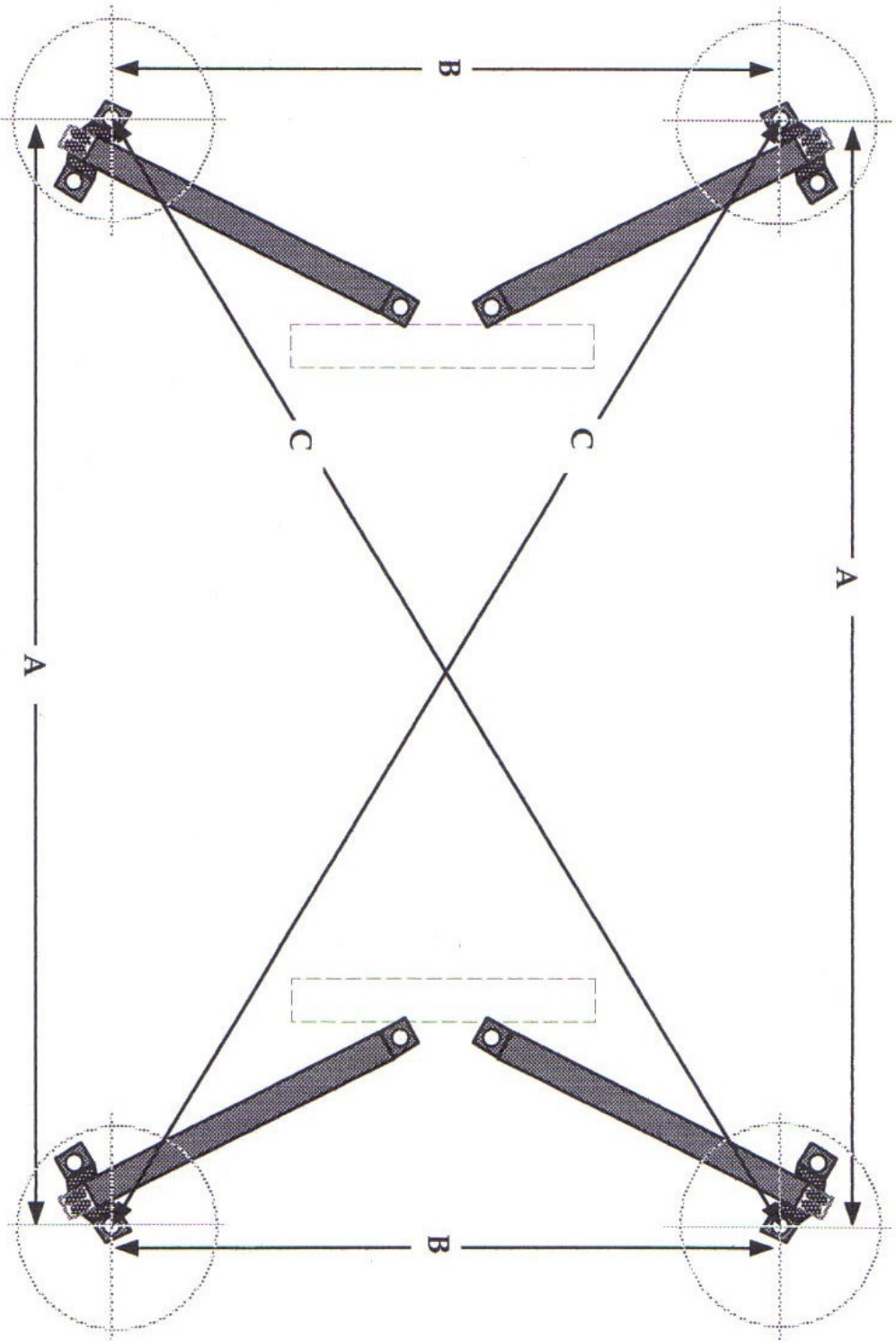


STEP 1 - AFTER DETERMINING WHERE APPARATUS WILL BE PLACED, DRAW A RECTANGLE 18" X 105" CENTERED WHERE THE BASES WILL BE (AS INDICATED ON PAGE 1). THE FOOT ANCHORS SHOULD BE PLACED THE CORNERS OF THIS RECTANGLE.

STEP 2 - ONCE THE FOOT ANCHORS ARE IN, LOOSELY BOLT IN THE FEET OF ALL FOUR SPACE SAVER ARMS. SWING THE ARMS INTO APPROXIMATE POSITION.

### LOCATION OF BASE ANCHORS AND MOUNTING THE ARMS

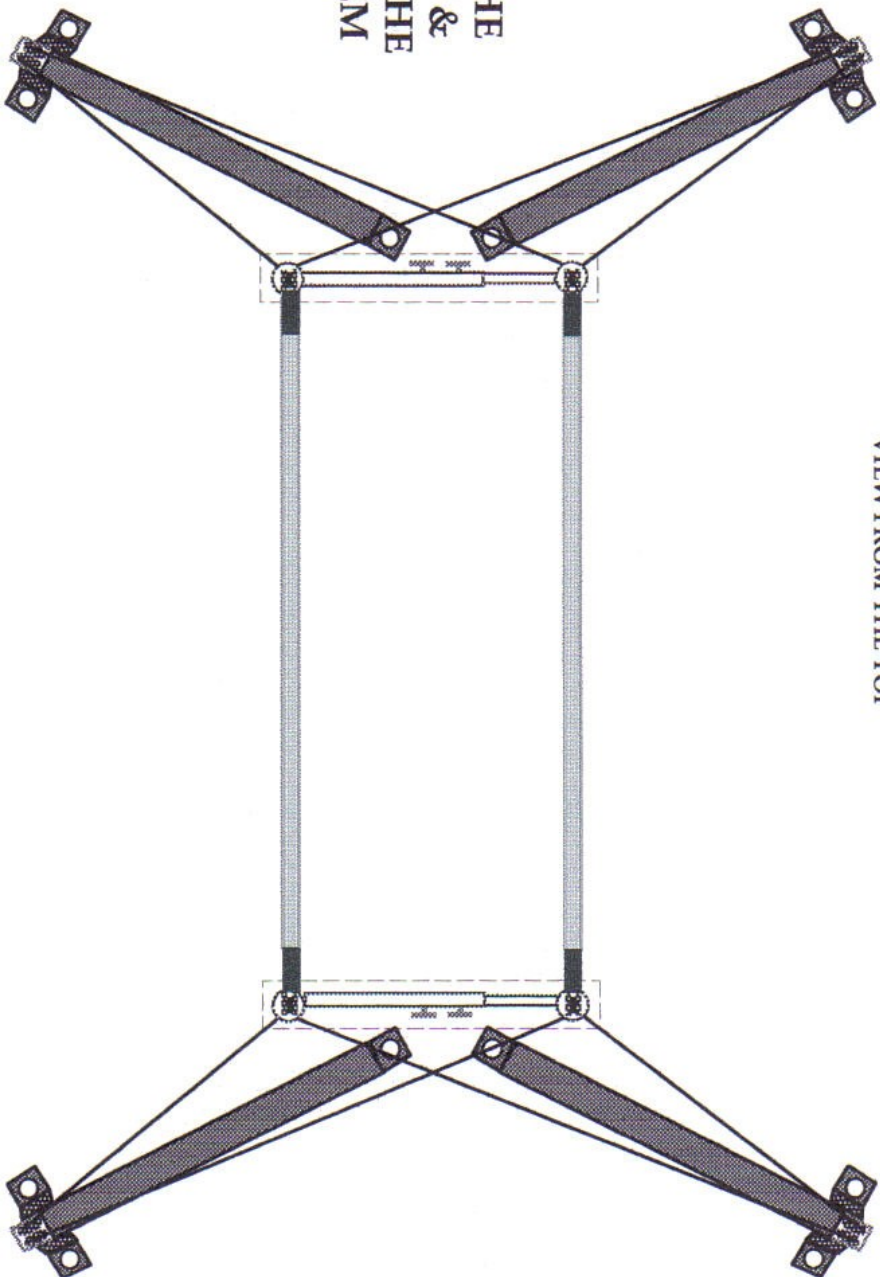
VIEW FROM THE TOP



STEP 3 - USING THE OUTSIDE BASE PLATE HOLES (CROSSED CIRCLES) MEASURE THE DISTANCES FOR A, B, AND C. WHEN A = A, B=B, AND C=C THE FLOOR LAYOUT IS CORRECT. A COMMON DIMENSION IS A = 148", B = 102", AND C = 180". MARK THE EIGHT BASE PLATE HOLES THROUGH THE BASE PLATES (9" BETWEEN BASE ANCHORS) AND MOUNT THE BASE ANCHORS.

STEP 4 - FINISH BOLTING IN THE ARMS (3 ANCHORS PER ARM) AND TIGHTEN.

### ERECTING THE APPARATUS & MOUNTING THE CABLE SYSTEM

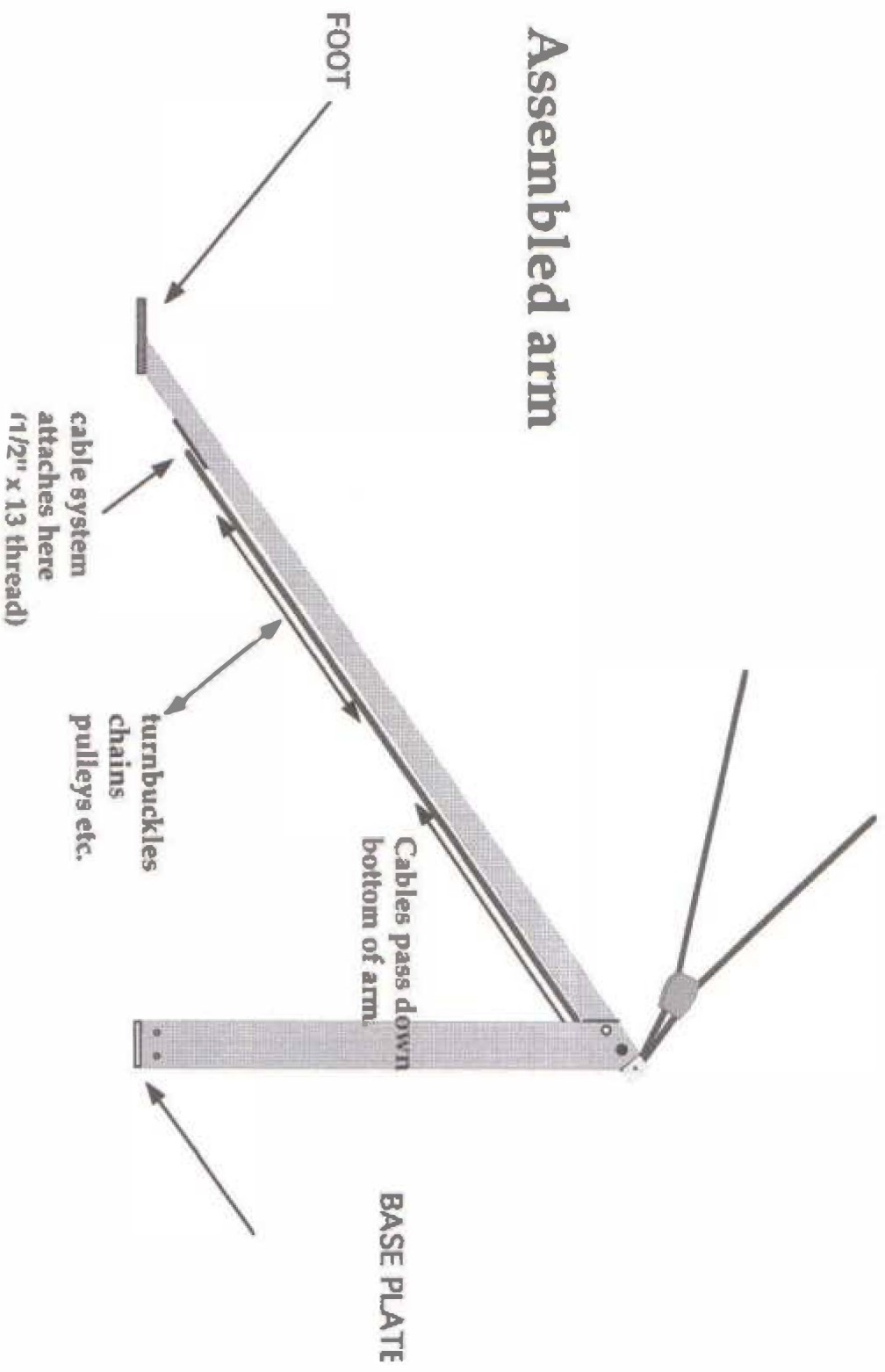


STEP 5 - REMOVE END CAPS ON EACH ARM. IF TURNBUCKLES ARE USED, SCREW THEM IN AT THE BOTTOM OF EACH ARM. THEY SHOULD BE ADJUSTED SO THAT EACH CAN BE SHORTENED OR LENGTHENED BY ABOUT TEN TURNS.

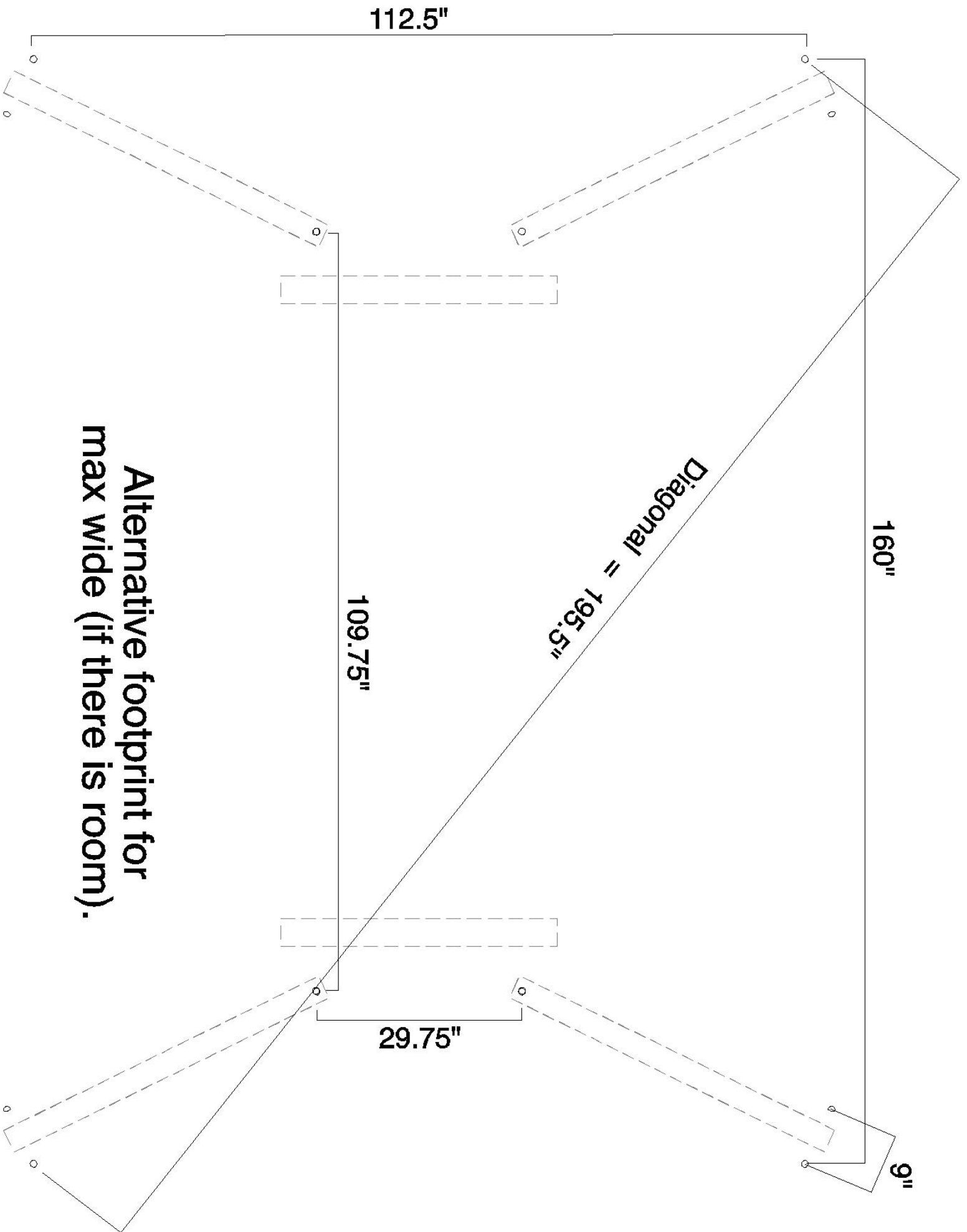
STEP 6 - STAND UP THE APPARATUS AND MOUNT THE CABLES THROUGH THE PULLEYS OF THE SPACE SAVER ARMS. REPLACE THE END CAPS AND TIGHTEN. IN GENERAL, THE BASES ARE CENTERED IN RELATIONSHIP TO THE SPACE SAVER FEET. HOWEVER, WHEN THE OLD STYLE AMF UNEVEN BARS (HIGH BAR UPRIGHT IS WELDED TO THE BASE) YOU MAY FIND THAT THE BARS ADJUST BETTER WHEN THE HIGH BAR UPRIGHT IS ABOUT 10" CLOSER TO THE CENTER.

FINAL STEP - HOOK UP, ADJUST, AND TIGHTEN THE CABLES SYSTEM SO THAT THE UPRIGHTS ARE VERTICAL AND PARALLEL WITH EACH OTHER. A LEVEL IS NOT ABSOLUTELY NECESSARY HERE. THE VISUAL ALIGNMENT WITH BACKGROUND LANDMARKS CAN OFTEN RESULT IN NEAR PERFECT SETUP.

# Assembled arm



W. Eyman



New

